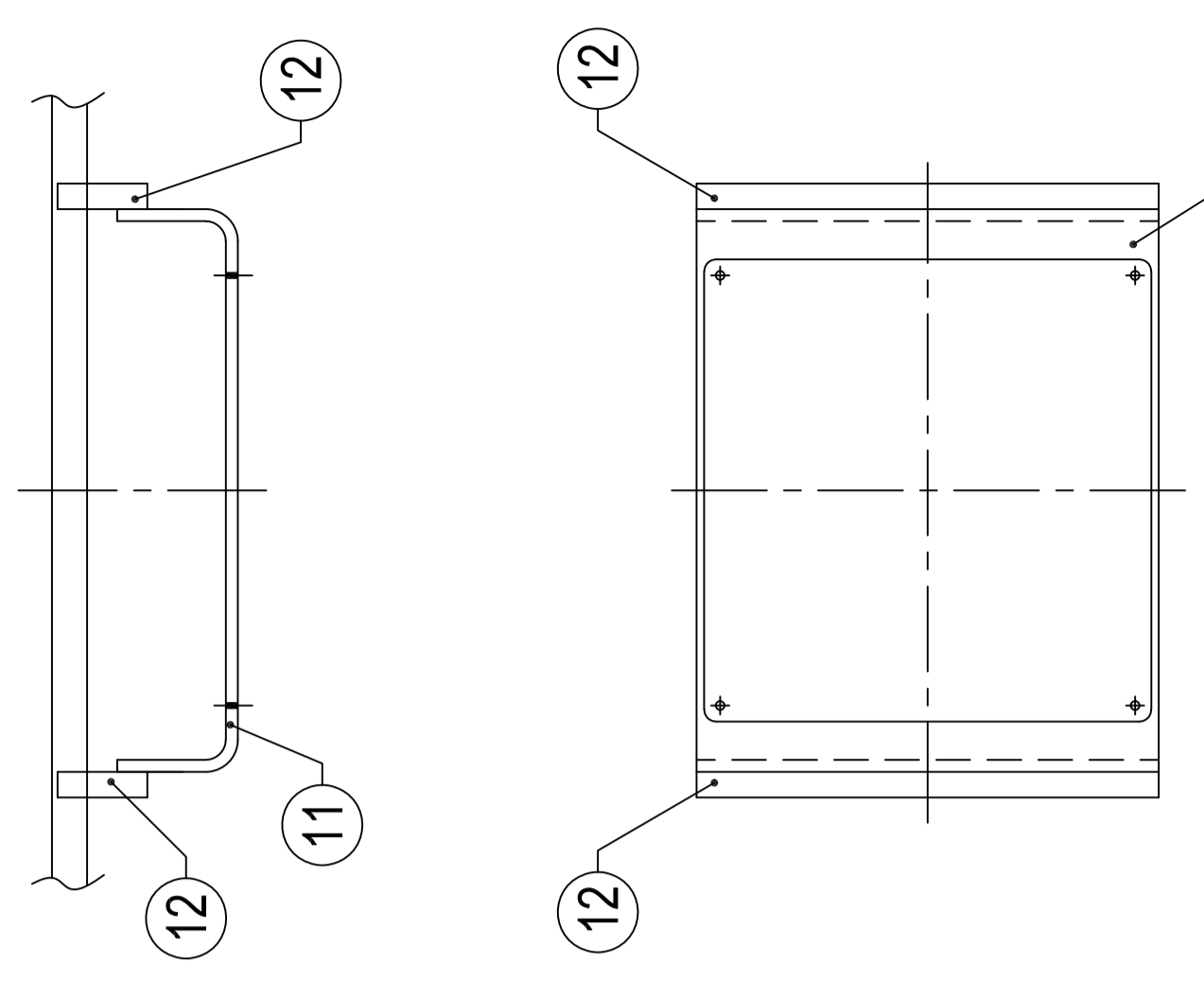
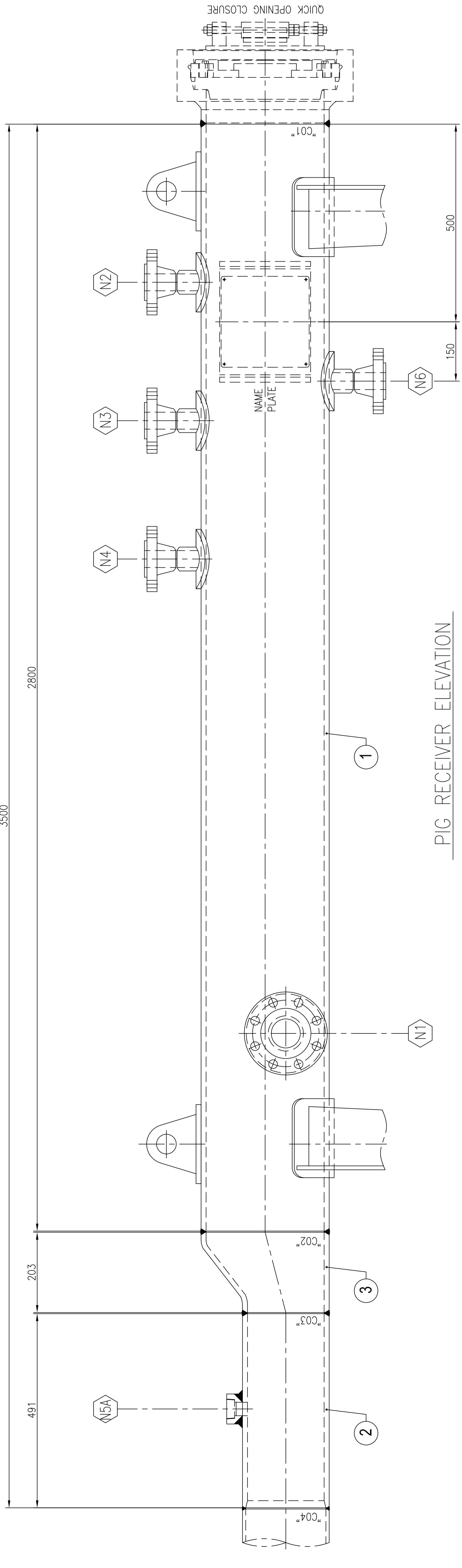


MATERIAL / PART LIST

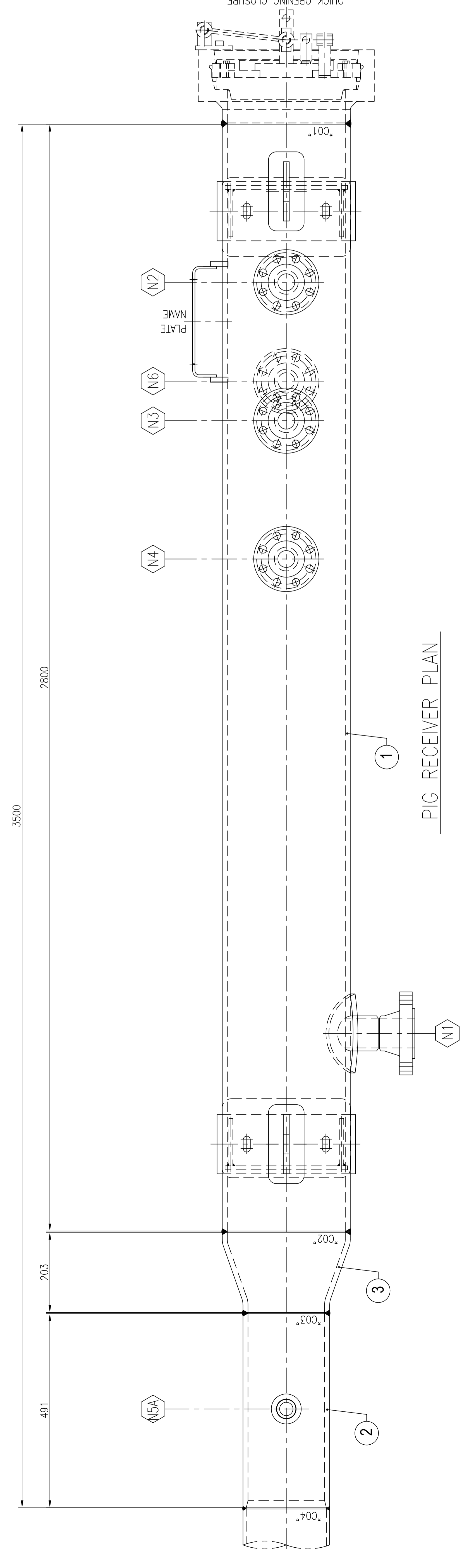
No. Part.	Part Name	Piece	Material	Weight Kg. Unit	Weight Kg. Total	Note
TOTAL WEIGHT						



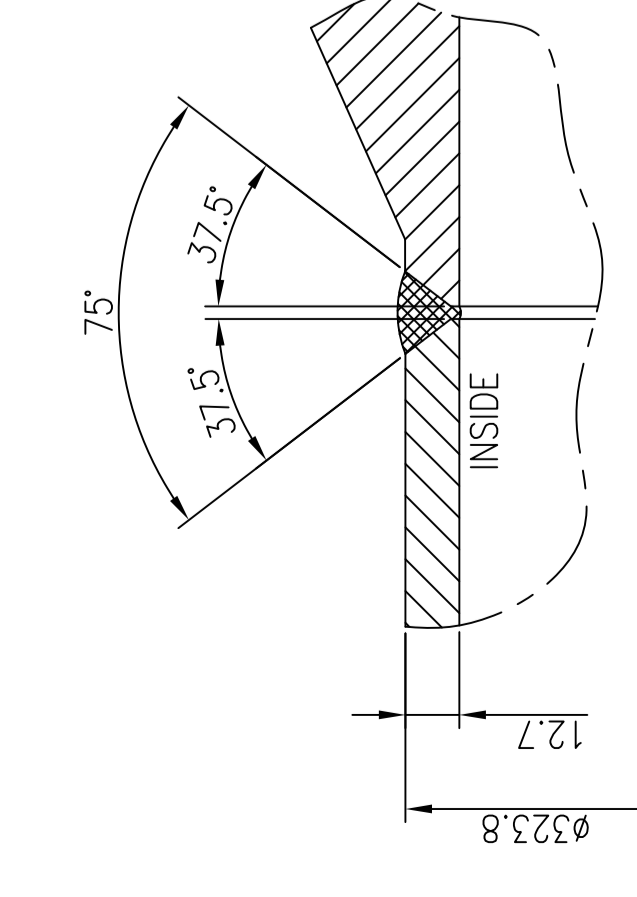
NAME PLATE BRACKET DETAILS



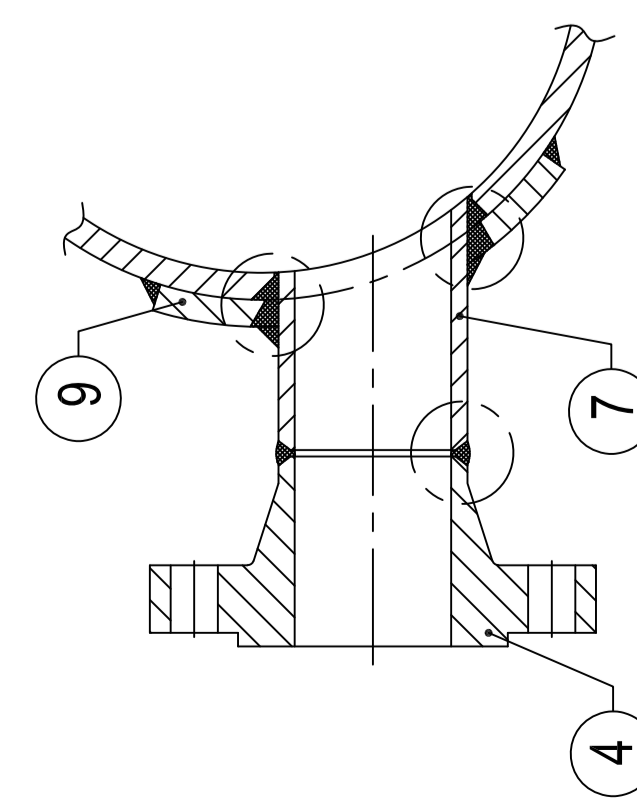
PIG RECEIVER ELEVATION



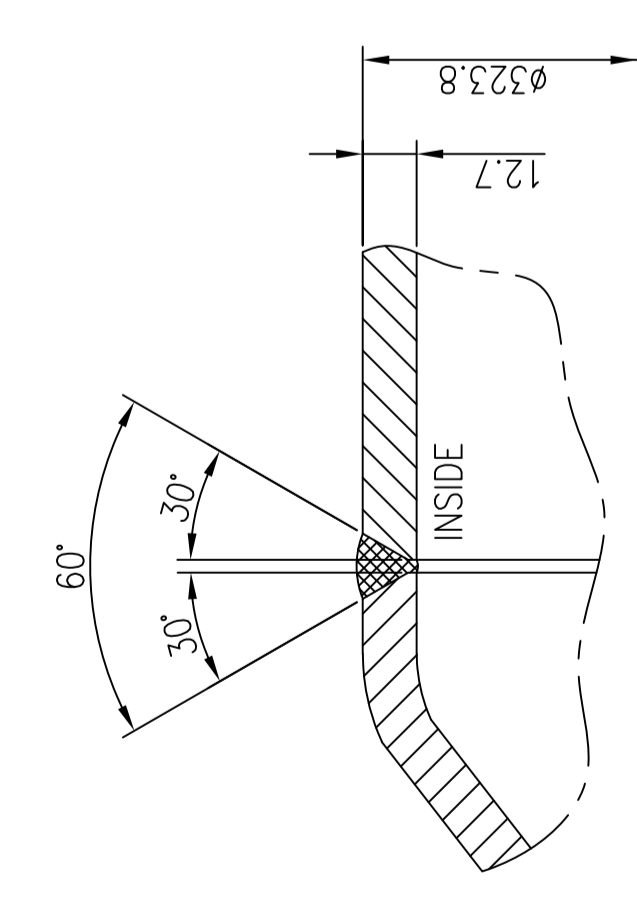
PIG RECEIVER PLAN



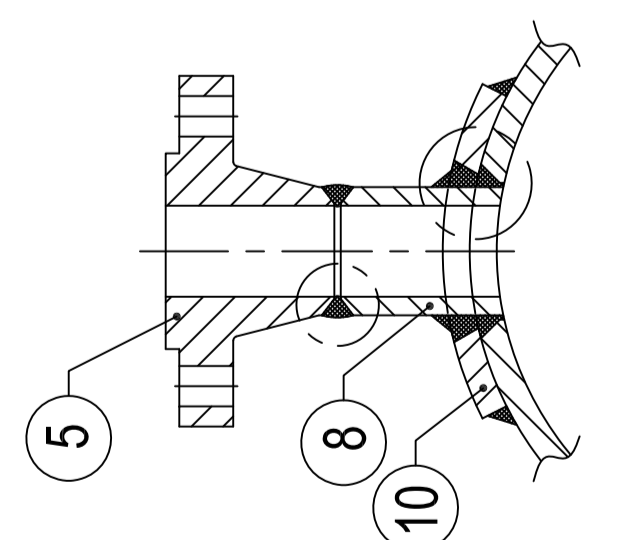
DETAIL "C01"



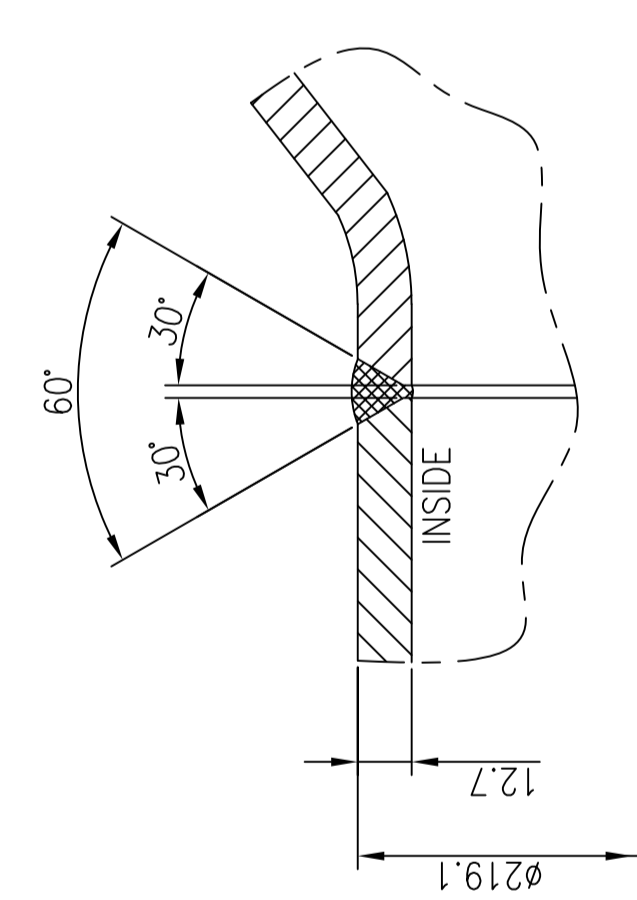
N1 NOZZLE DETAILS (KICKER LINE)



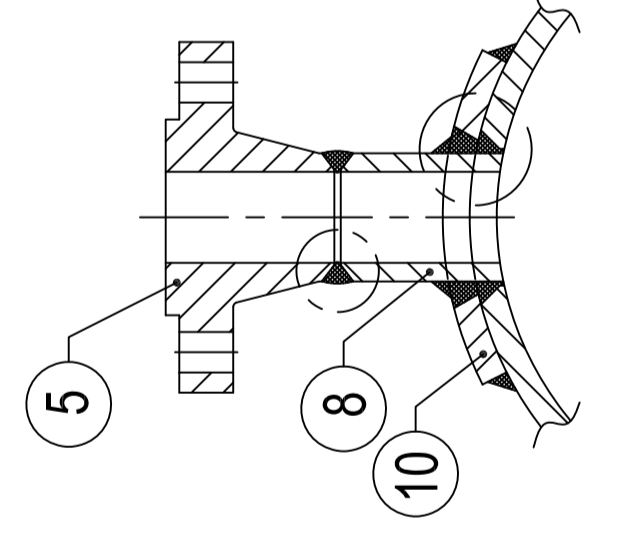
DETAIL "C02"



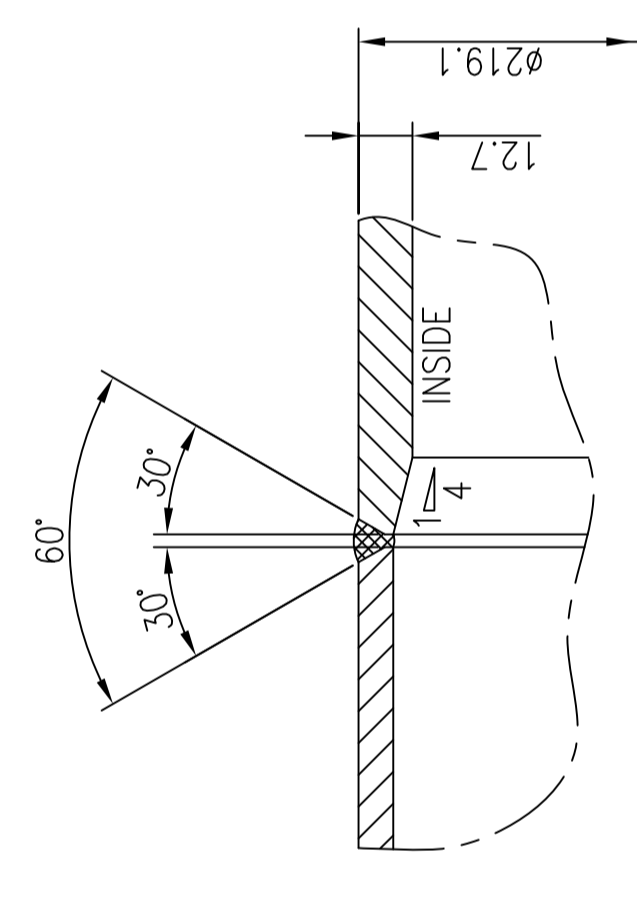
N2 NOZZLE DETAILS (PSV)



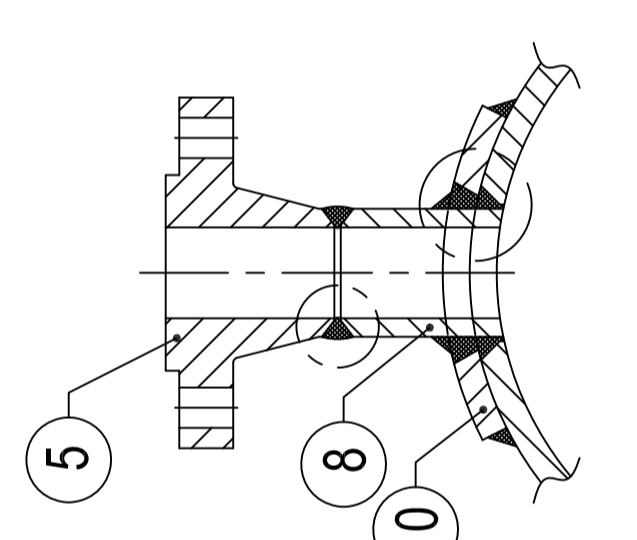
DETAIL "C03"



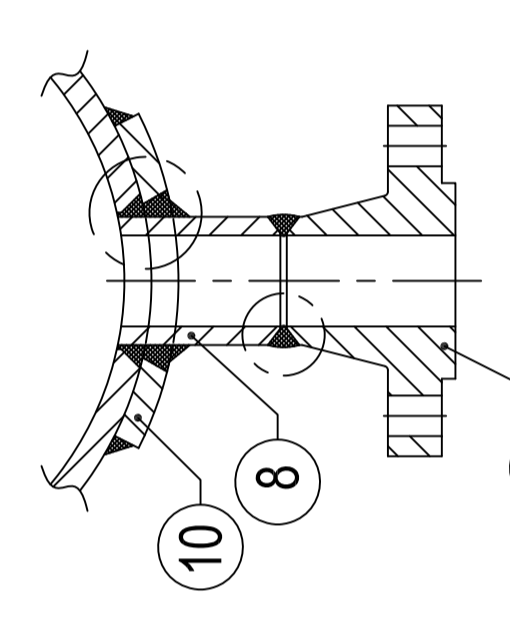
N3 NOZZLE DETAILS (VENT)



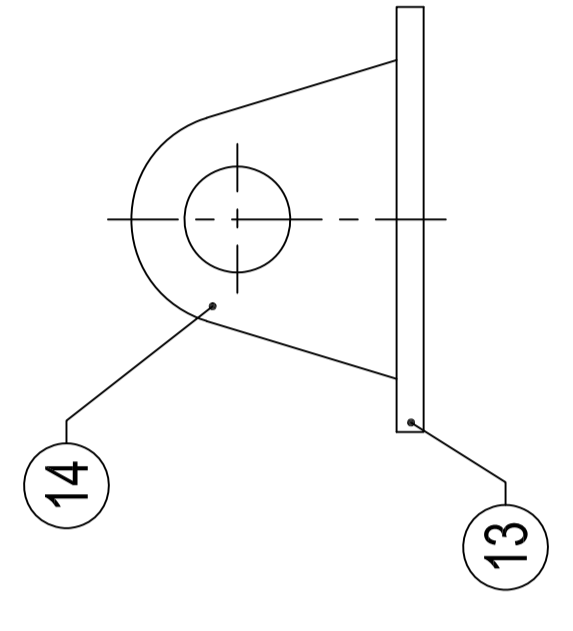
DETAIL "C04"



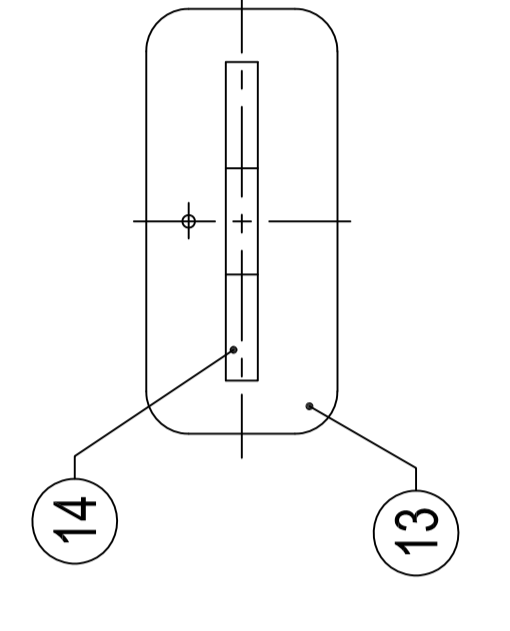
N4 NOZZLE DETAILS (PI)



N6 NOZZLE DETAILS (DRAIN)



LIFTING LUG DETAIL (2 REQ'D)



REV	DATE	CHANGED	CHECKED	KIND OF REVISION

Contractor  
**TROYA**  
8" x 12" PIG RECEIVER FABRICATION DETAIL

Troya Dogulaz Perol Mühendislik San. ve Tic. Ltd. Şti., Sığirci Sk. No: 70 Kat: 03/07/2003-04  
Etiler/Şişli/Beşiktaş/İstanbul/34100/85  
Telf: +90 (312) 270 91 84 - 85  
Fax: +90 (312) 270 91 84 - 86  
www.troya-eng.com - info@troya-eng.com

APPROVED	CHECKED	PREPARED	NAME	DATE	SCALE	SIGNATURE	CAD NO

REV    SCALE    SIZE    DRAWING NO